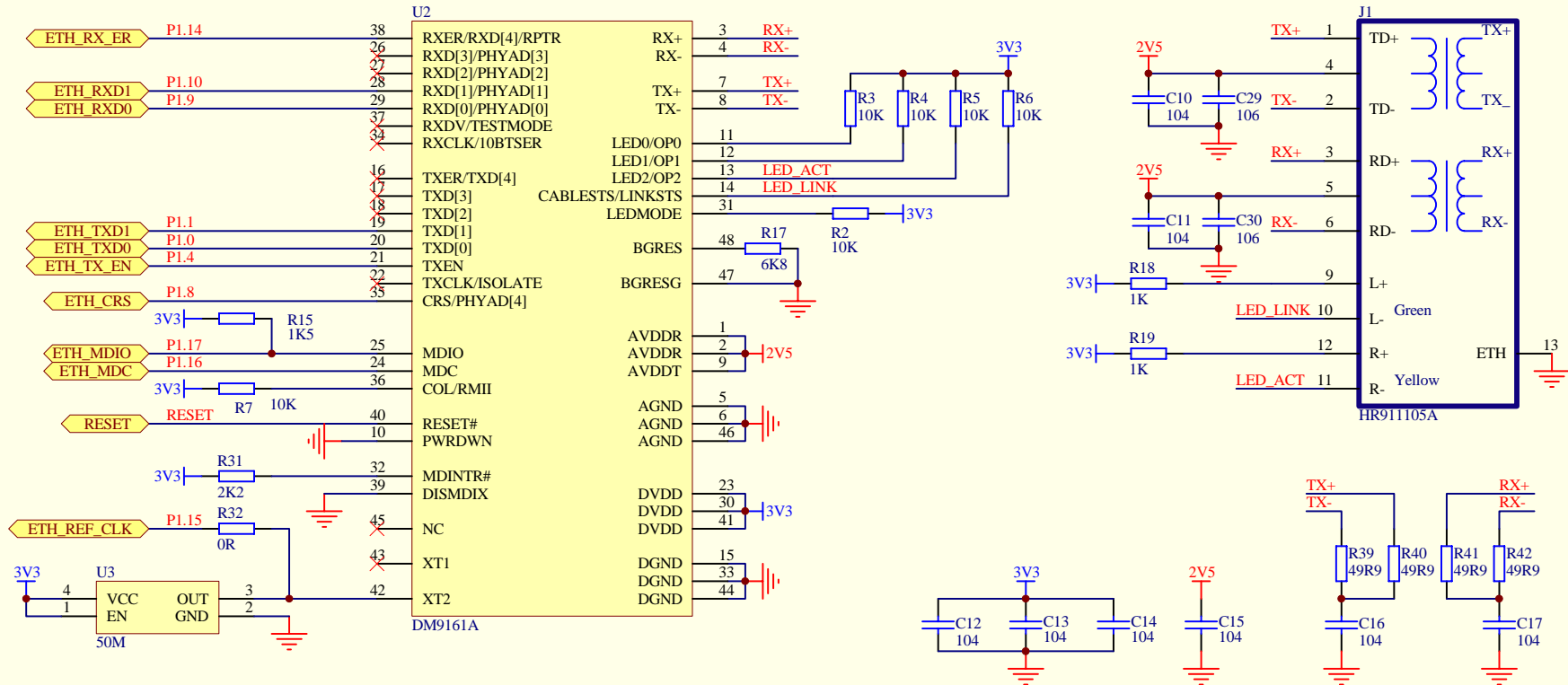
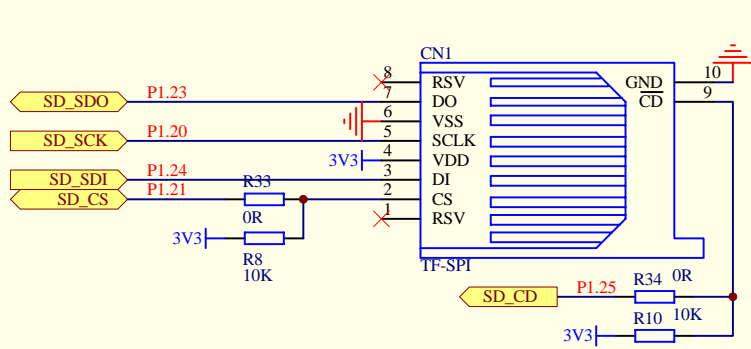


HAOYU ELECTRONICS

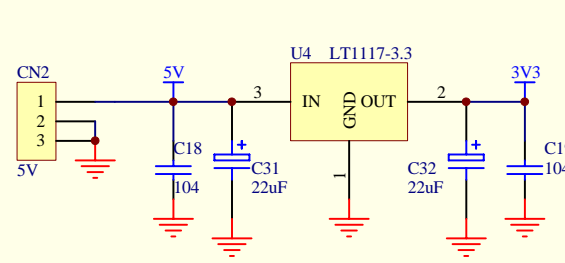


Designed by HAOYU Electronics

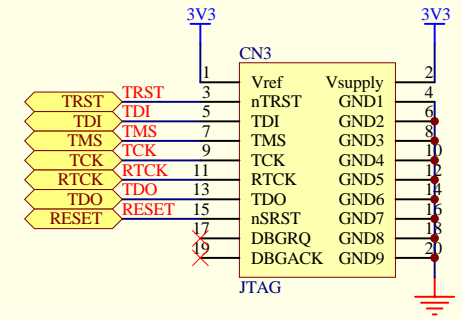
www.PowerMCU.com



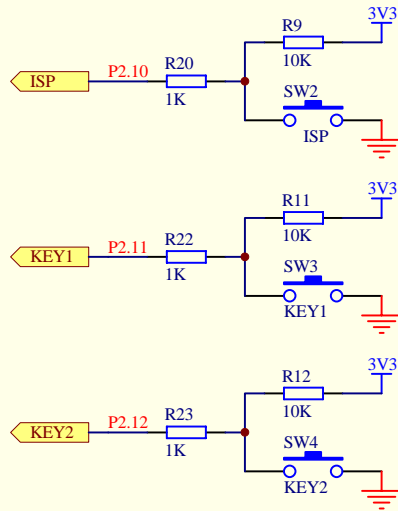
SD_CARD



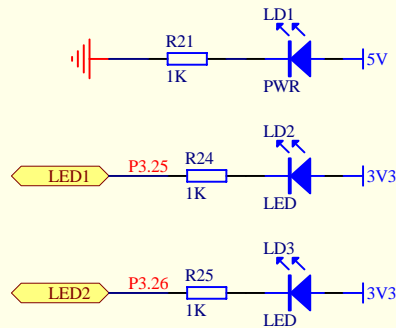
Power



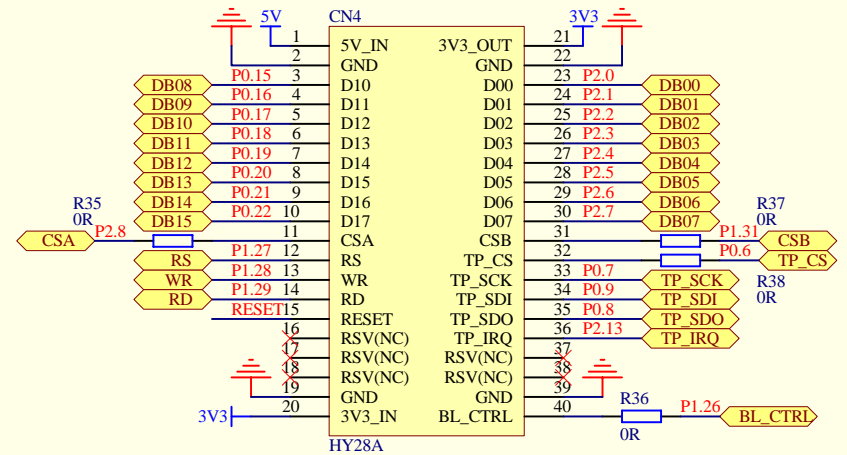
JTAG



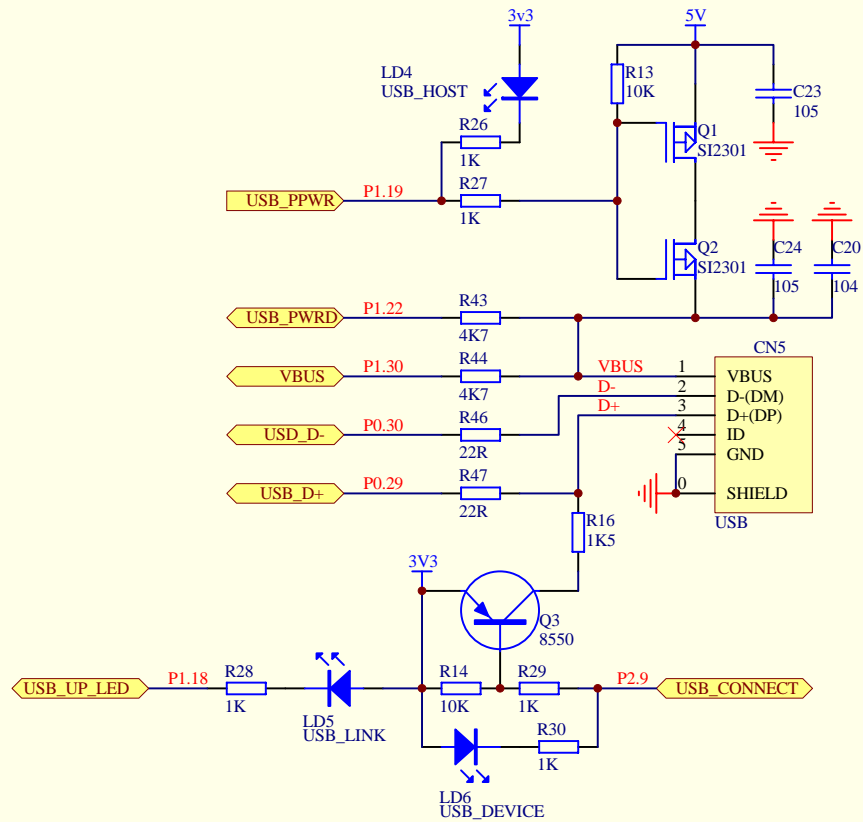
USER_KEY



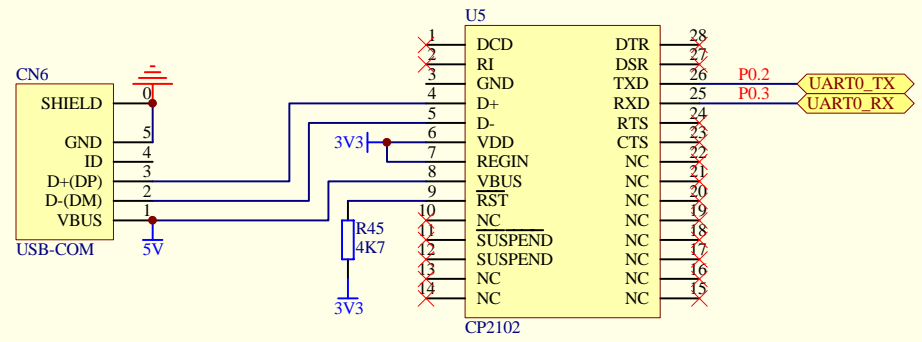
LEDs



LCD



USB Host/Device



USB to UART

Designed by HAOYU Electronics

www.PowerMCU.com