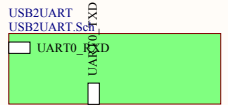
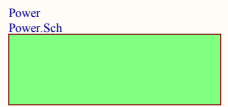
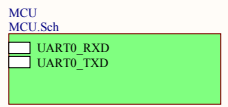
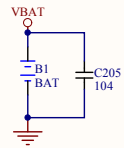
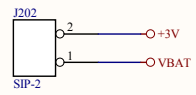
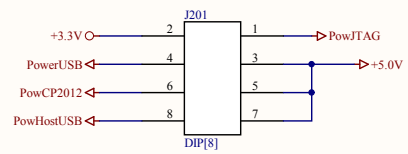
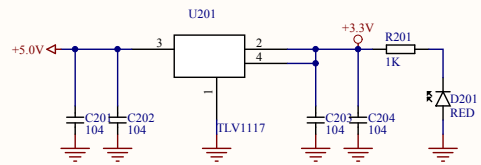


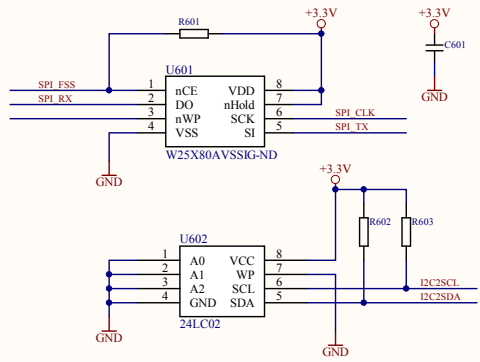
Title		
Size	Number	Revision
B		
Date:	2012-3-4	Sheet of
File:	C:\Documents and Settings\USB2UAR1	Shown By:



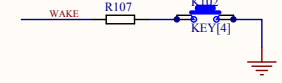
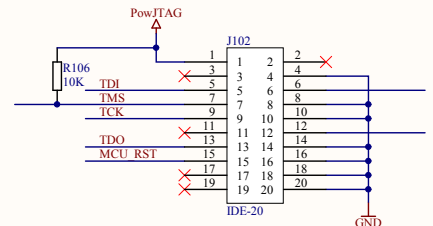
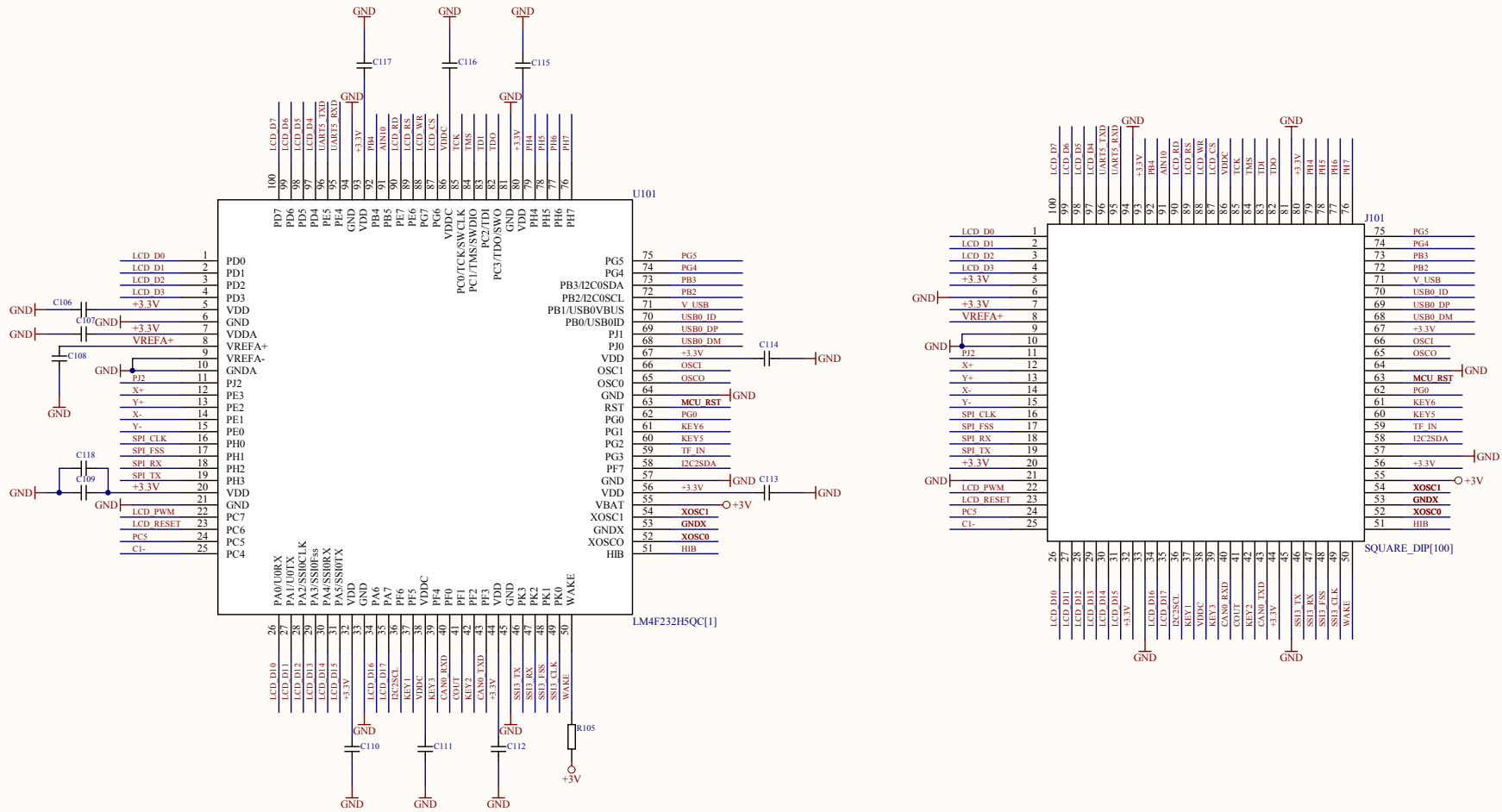
Title		
Size B	Number	Revision
Date:	2012-3-4	Sheet of
File:	C:\Documents and Settings\JQF_LM4F232\My Documents\B406.Sch	



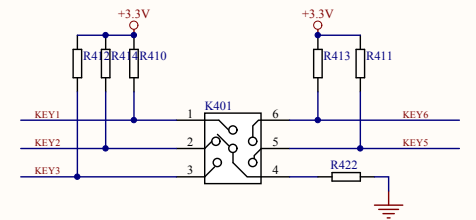
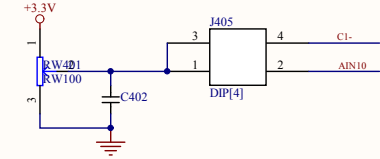
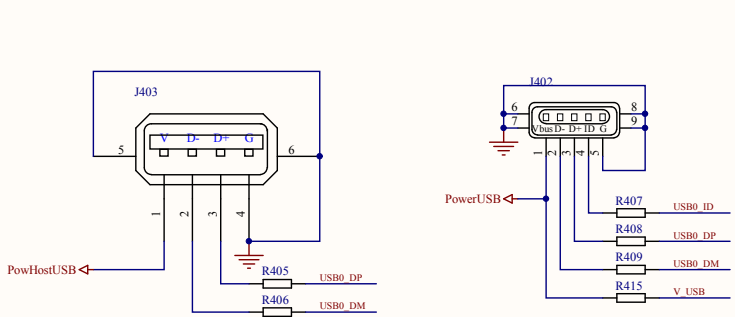
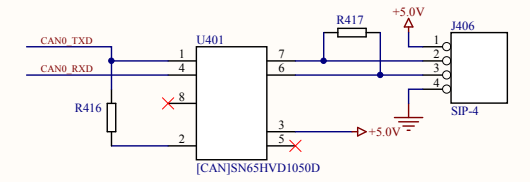
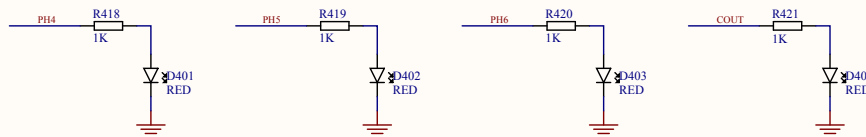
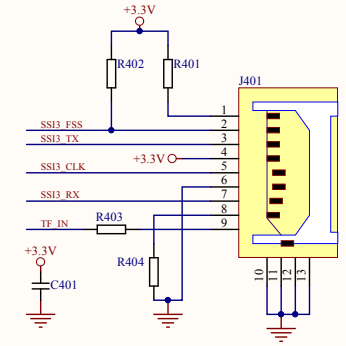
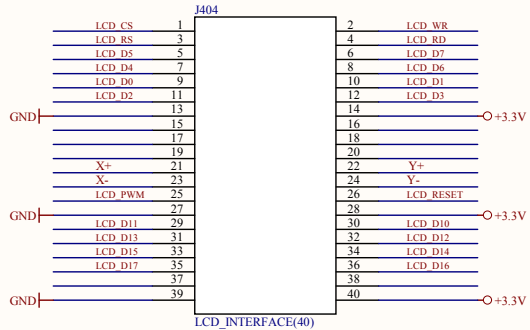
Title		
Size	Number	Revision
B		
Date:	2012-3-4	Sheet of
File:	C:\Documents and Settings\Power.Sch	Drawn By:



Title		
Size	Number	Revision
B		
Date:	2012-3-4	Sheet of
File:	C:\Documents and Settings\Memory.Sch	Drawn By:



Title		
Size	Number	Revision
B		
Date:	2012-3-4	Sheet of
File:	C:\Documents and Settings\...MCU.Sch	Drawn By:



Title		
Size	Number	Revision
B		
Date:	2012-3-4	Sheet of
File:	C:\Documents and Settings\Interface.Sch	Drawn By:

